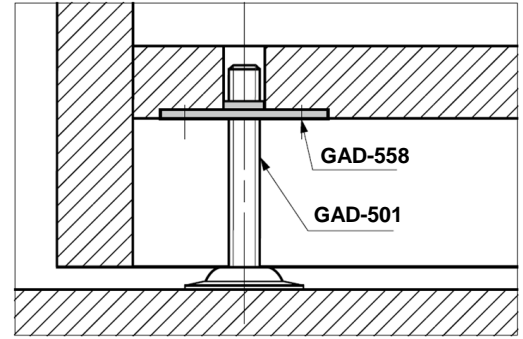
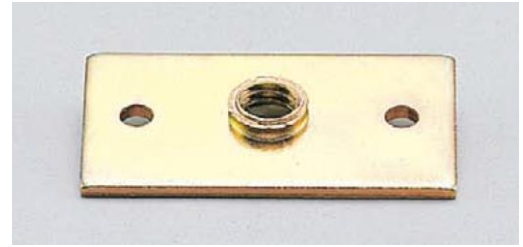
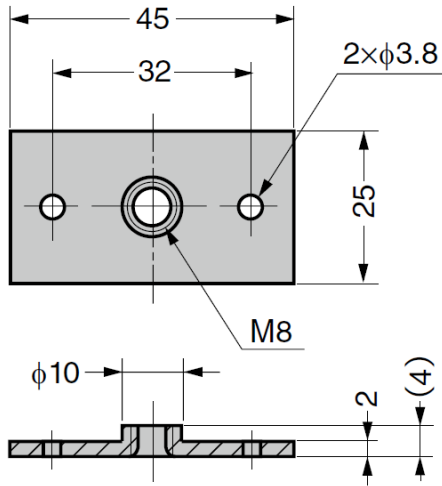


GAD-558 Glide Base

Features

- For M8

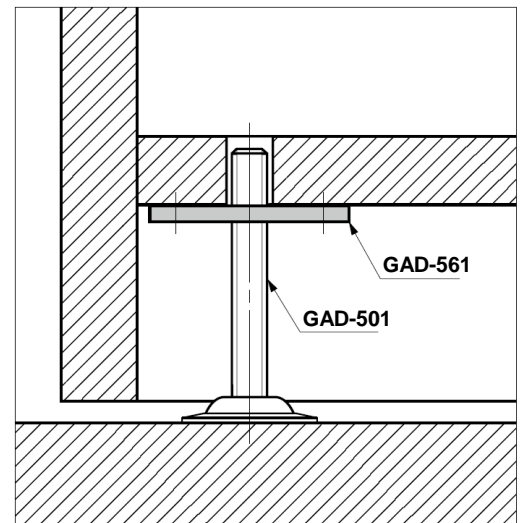
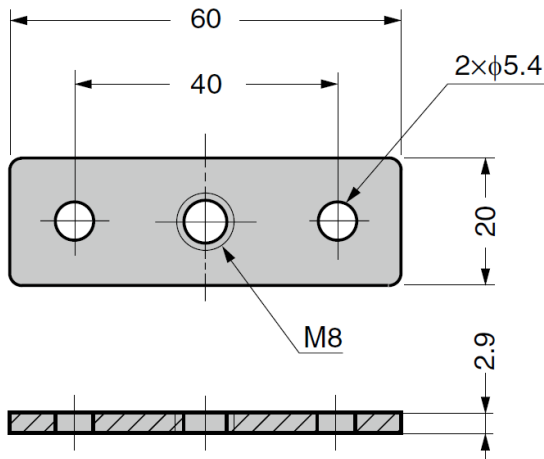


| Part No. | Material | Colour |
|----------|--------------|------------------------|
| GAD-558 | Steel (SPCC) | Coloured Zinc Chromate |

GAD-561 Glide Base

Features

- For M8



| Part No. | Material | Colour |
|----------|--------------|------------------------------------|
| GAD-561 | Steel (SPCC) | Coloured Zinc Chromate (Trivalent) |